

# Kapolioka'ehukai Rigging Instructions

## Rigging the 'iako to the ama

### **Glossary:**

'iako: outrigger boom

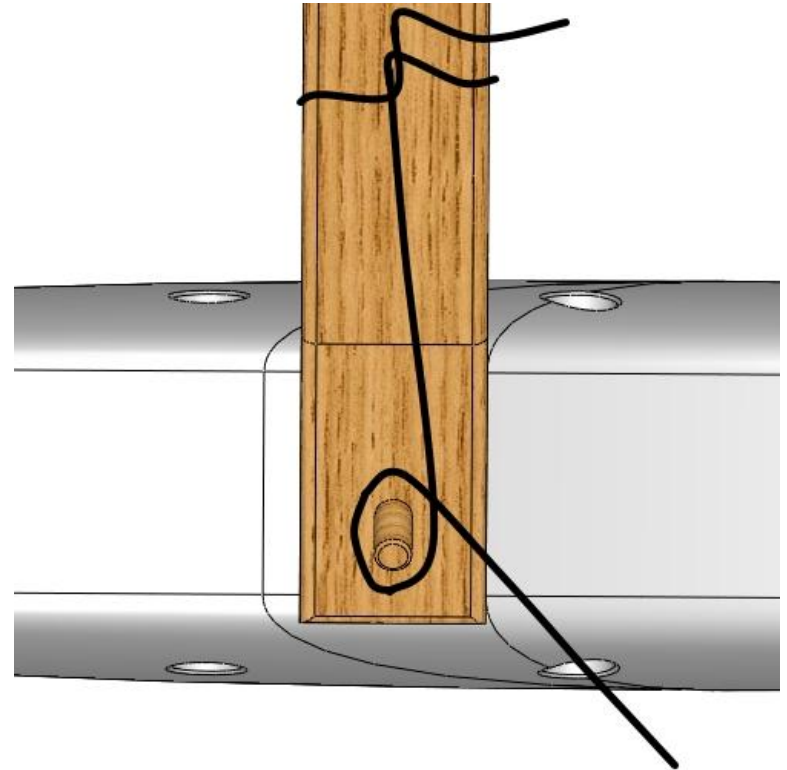
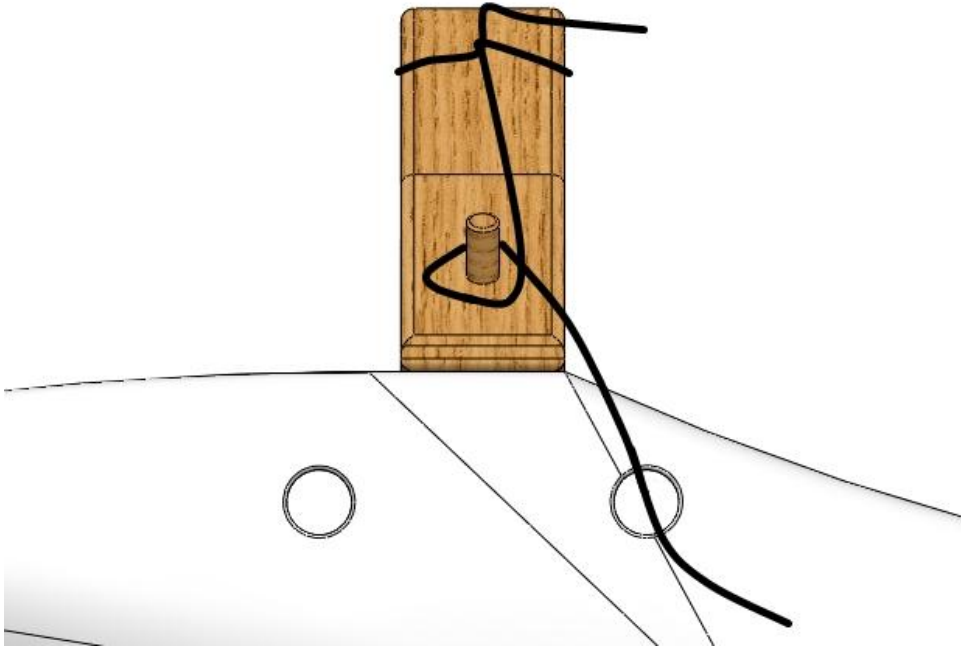
Ama: float

### **Notes and tips:**

- If cutting a new length of rope, cut about 40ft worth or one canoe length.
- Before rigging, stretch out the rope.
- Place rubber pieces at the points of contact between the 'iakos and the ama.
- Pull upwards when tightening the rope to avoid shifting the 'iako.
- Four is a magic number.
- Keep it tight, but not too tight.

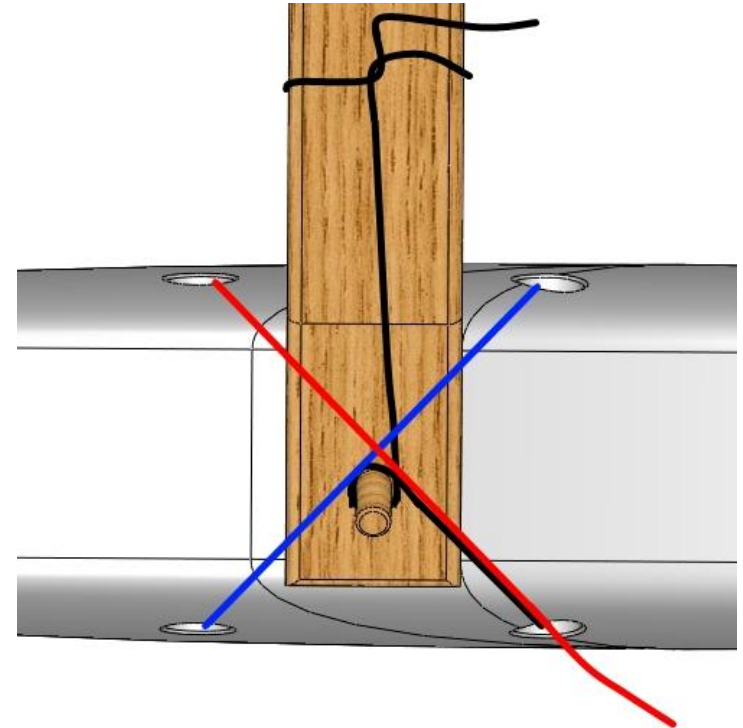
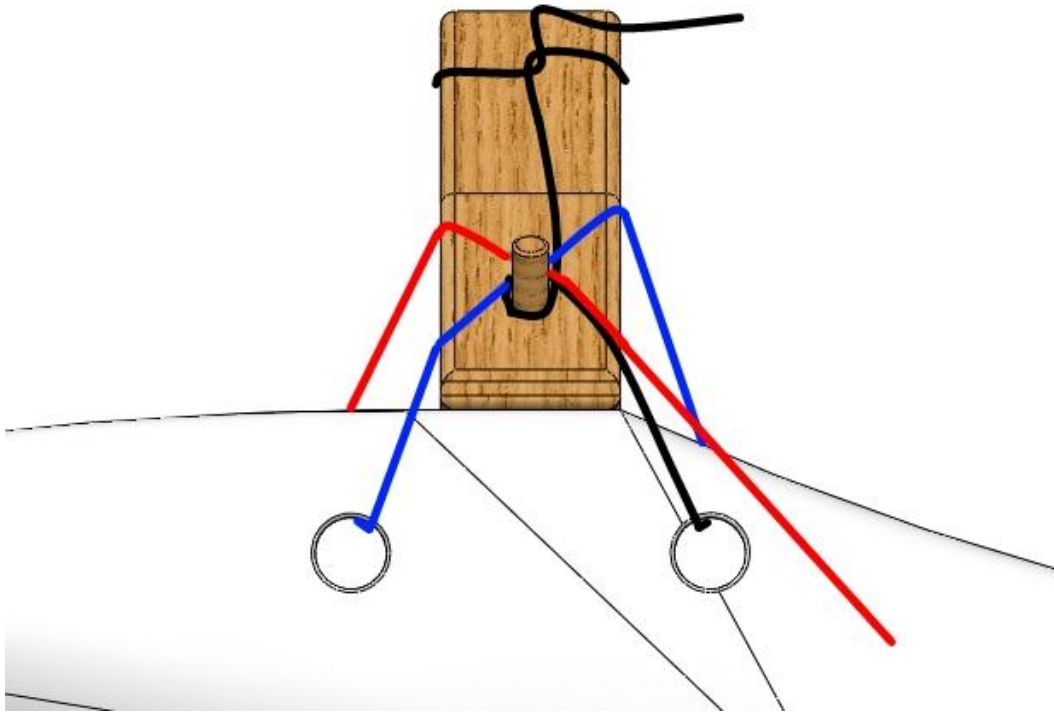
Rigging is the same for both 'iakos.

# Step 1



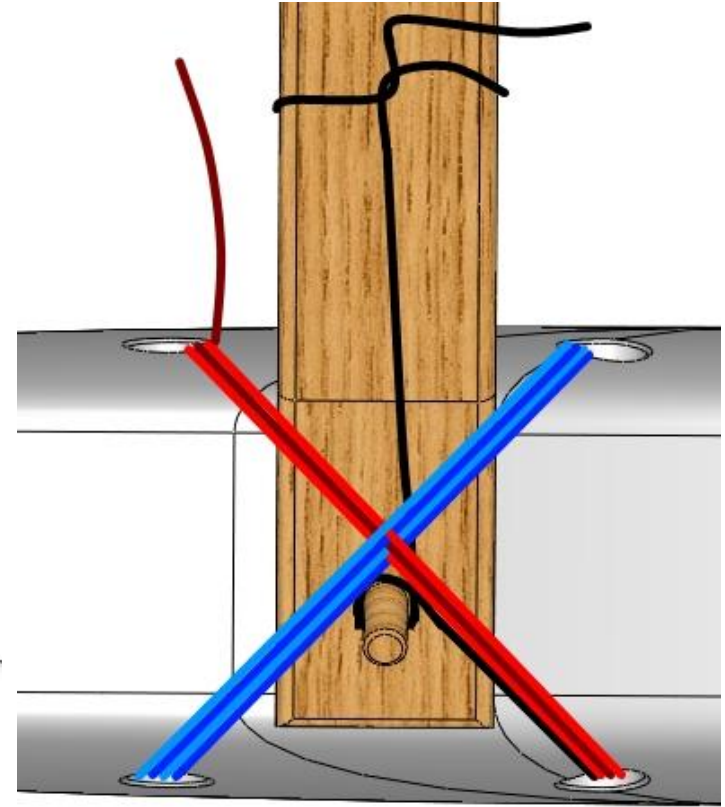
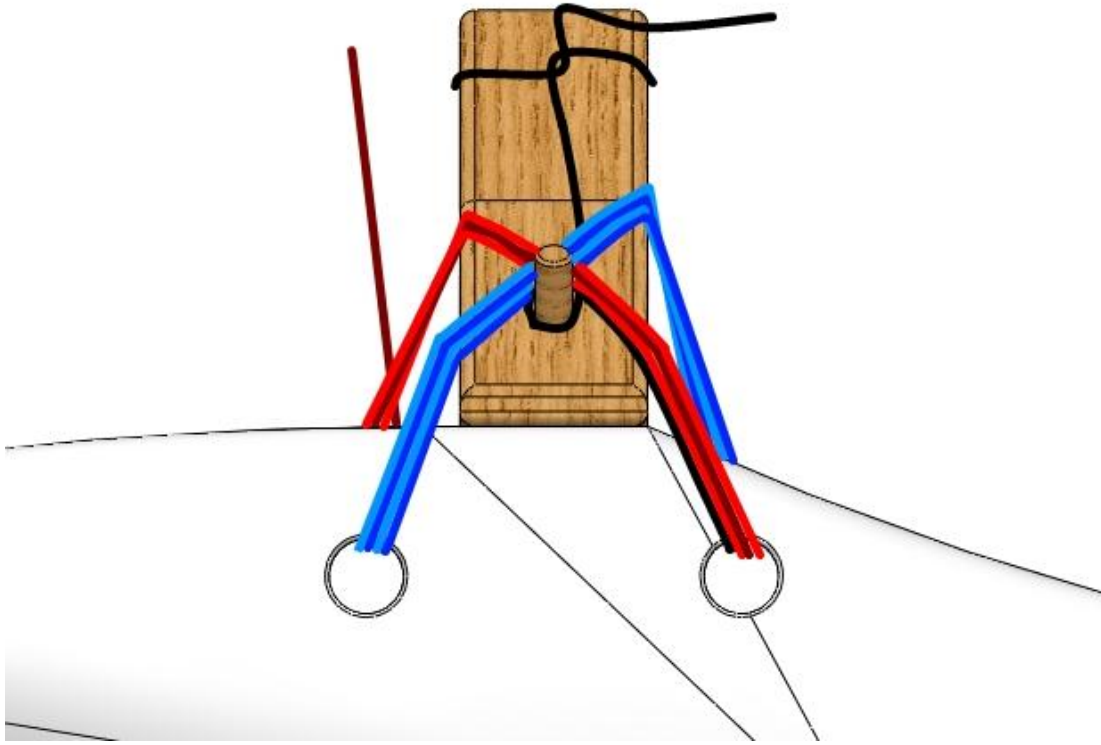
Loop the rope clockwise around the 'iako pin. Leave 1ft to 1.5ft of rope above the 'iako pin. This can be tied loosely to keep it out of the way until it is needed.

## Step 2



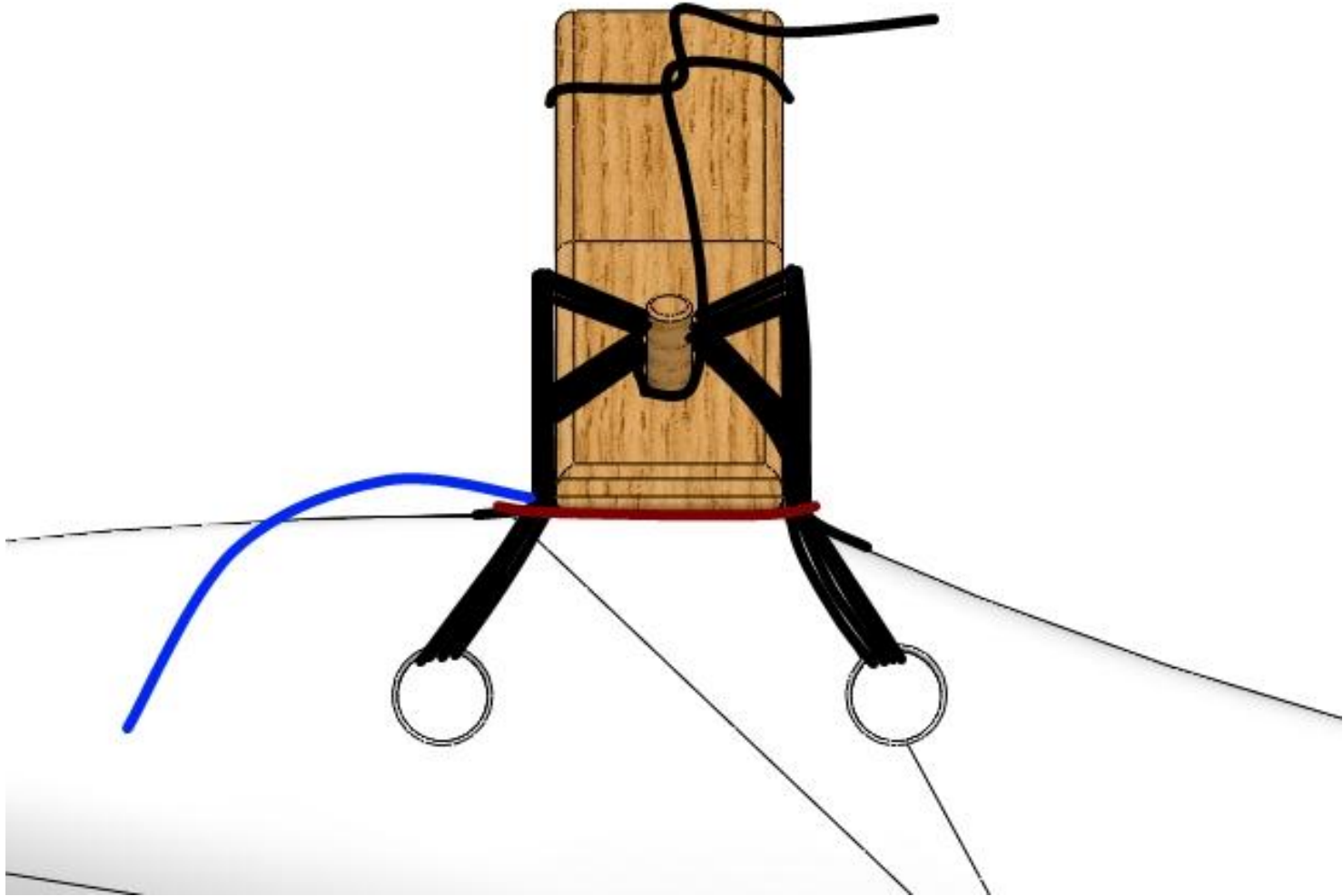
- Push the rope through the outer right lashing hole and tighten.
- Cross the rope over the 'iako and ama to the left side. The rope should be as close to the 'iako pin as possible.
- Push the rope through the outer left lashing hole and tighten.
- Cross the rope over the 'iako and ama to the right side, making an "x", again keeping the rope as close to 'iako pin as possible.

## Step 3



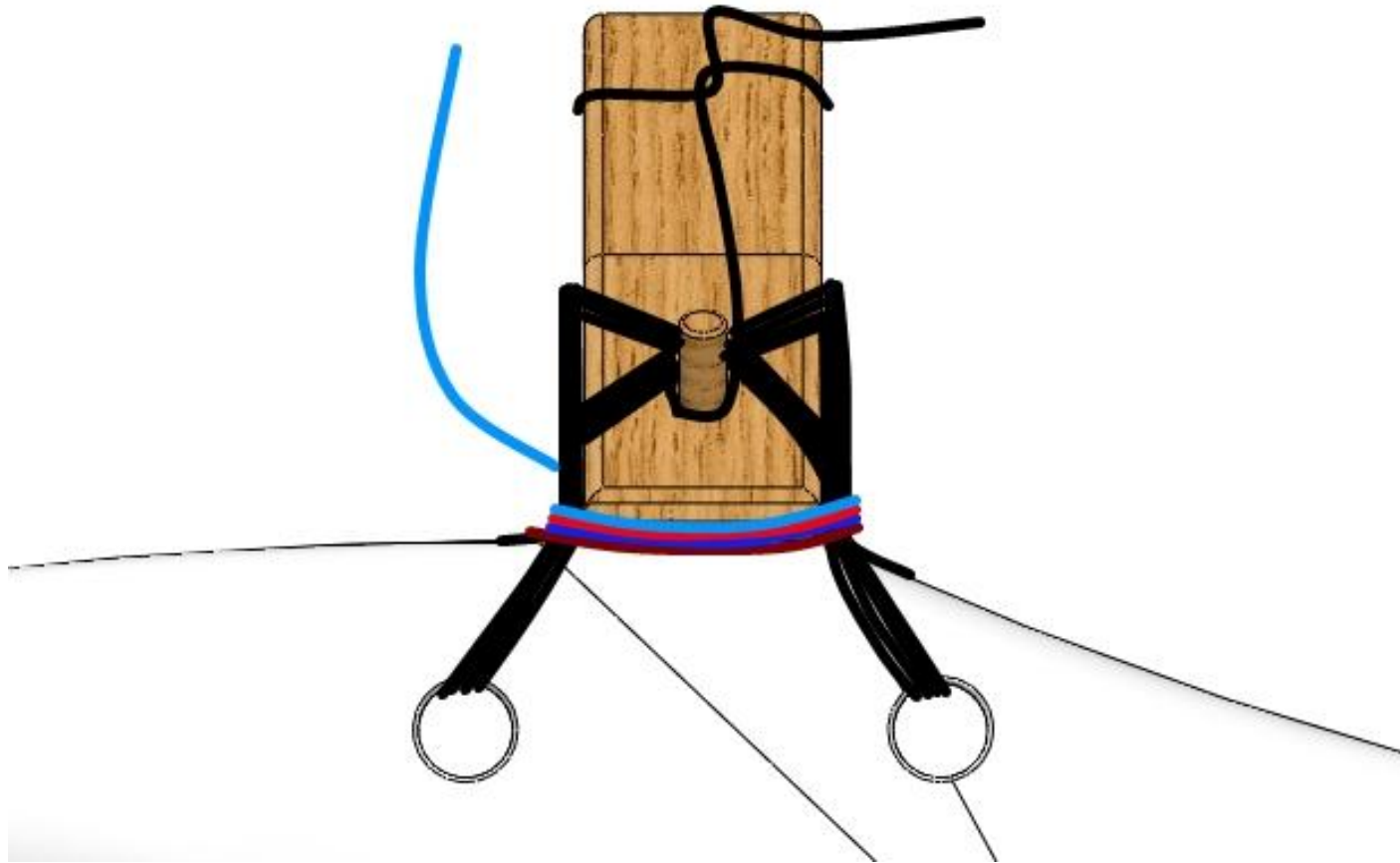
- Repeat Step 2 four times (unless you have enough rope for five passes).
- On each pass through the lashing hole, keep the new layer outside of the old on the outer holes and inside of the old on the inner holes (the rope will cross over inside the lashing holes). **Outside out, inside in.**
- For the “x”, each layer will build outwards of the previous. Do not build on top, it is not as stable.

## Step 4



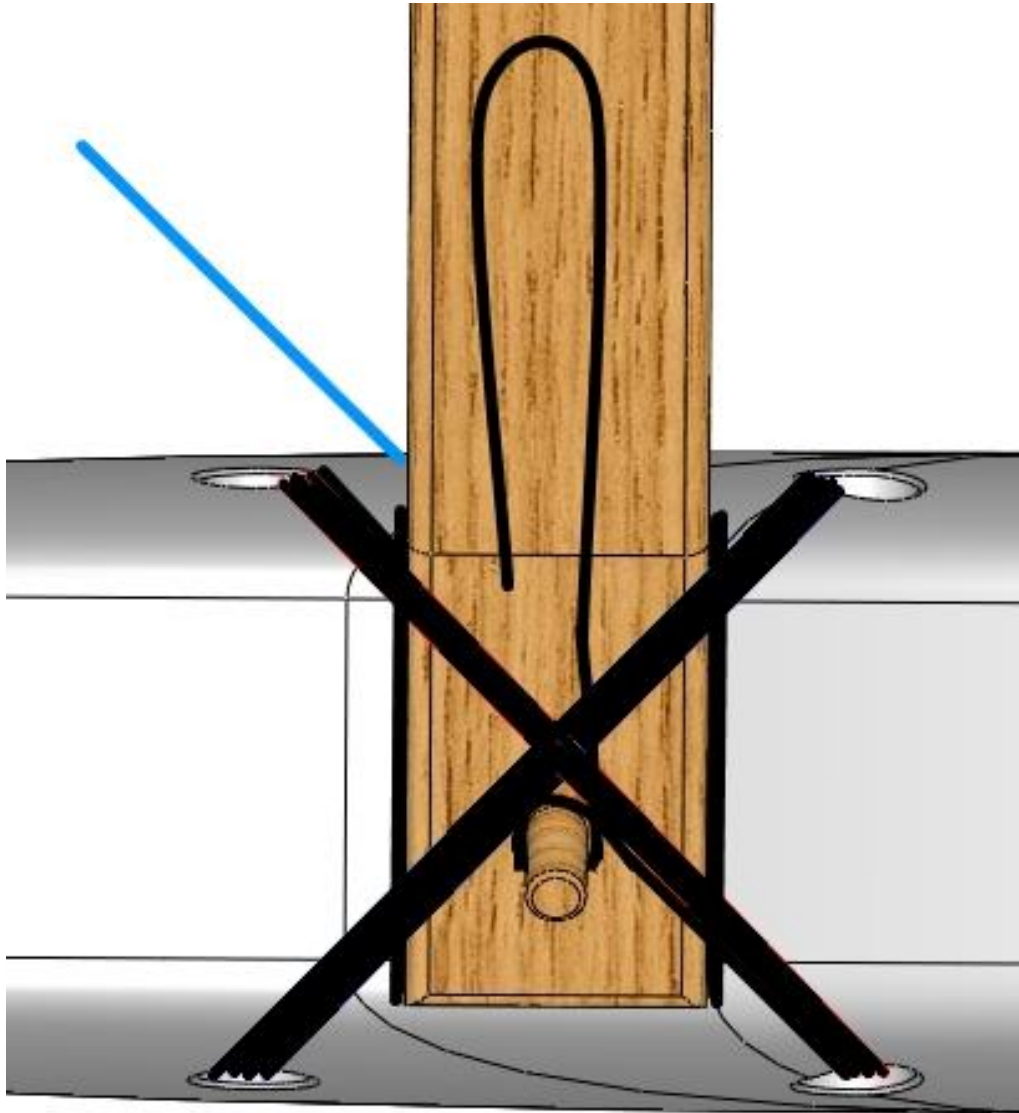
Make a loop around the contact point between the 'iako and ama. The loop should pass beneath the front edge of the 'iako.

## Step 5



Repeat Step 4 four times with each new pass building upwards of the previous. Keep it tight as Steps 4 and 5 are to cinch the rigging close together.

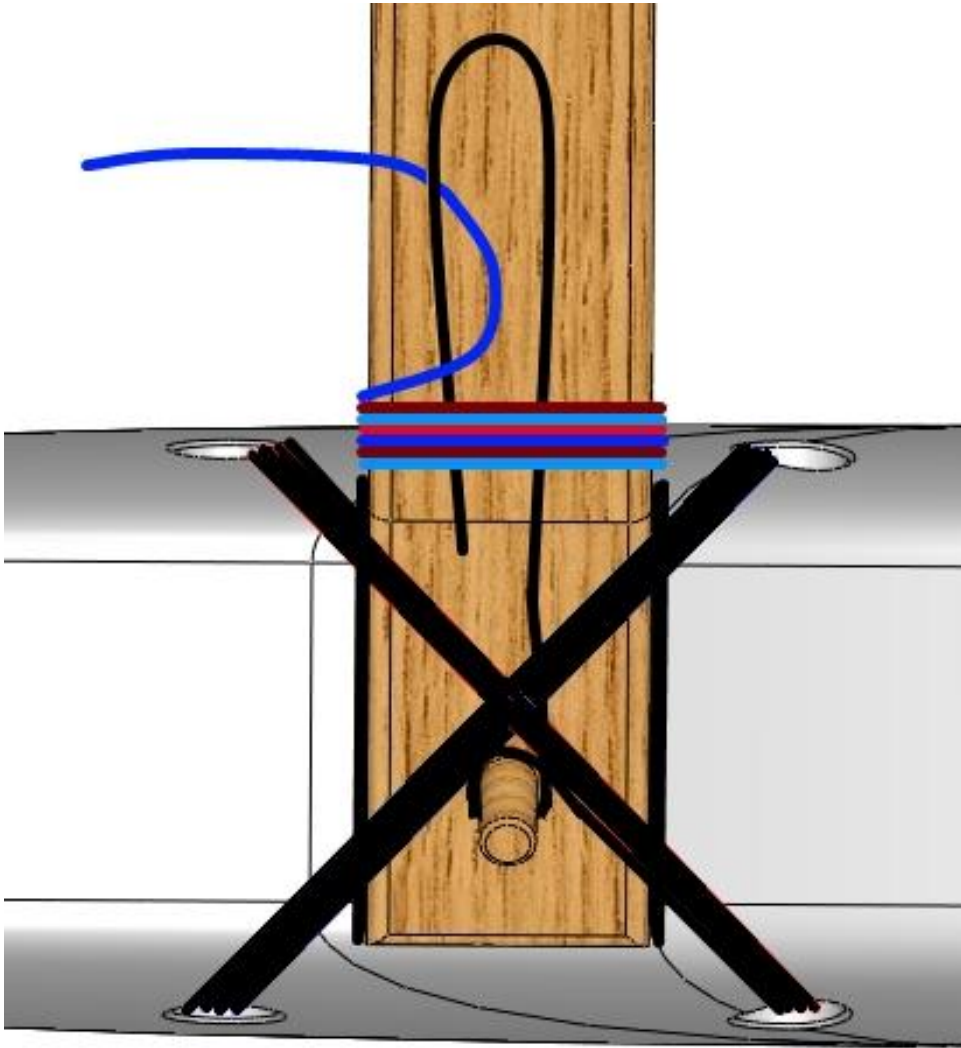
## Step 6



Position the black end of the rope into an open loop.



# Step 7

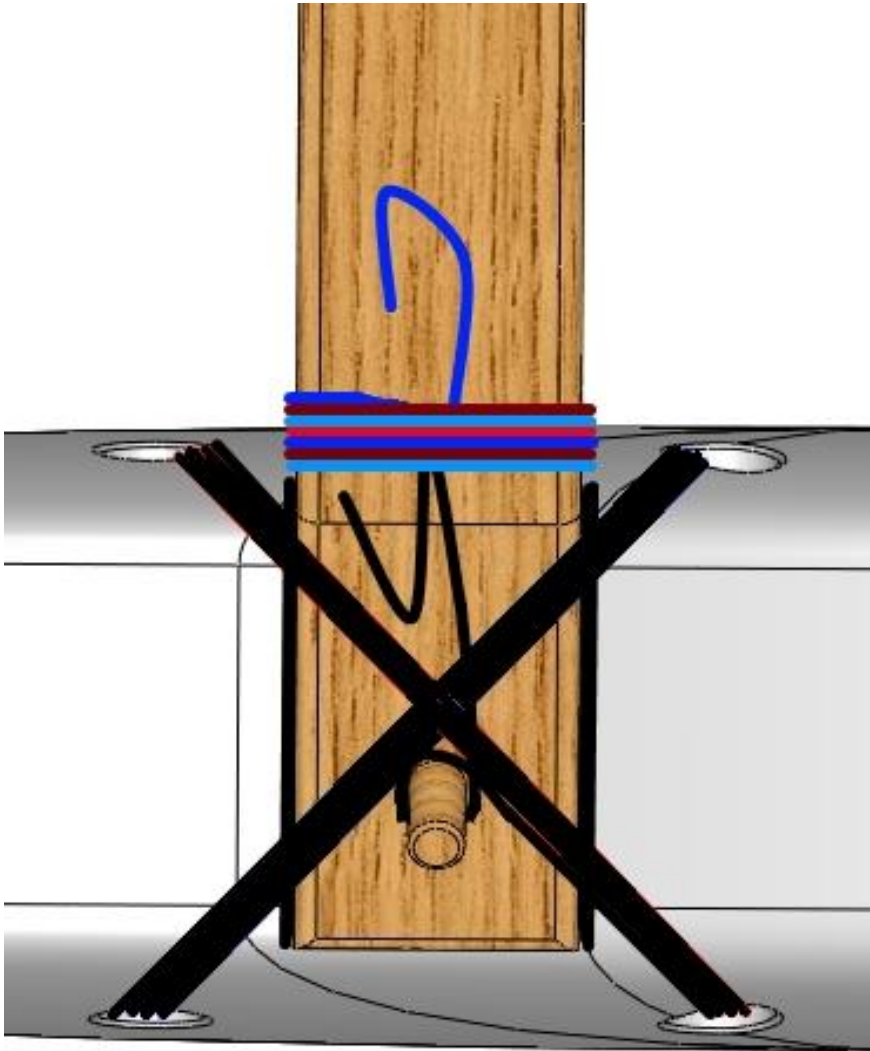


Wrap the remainder of the other end around the 'iako at least four times.

Keep wrapping until there is just enough left for a couple knots. Pull the blue end through the black loop.



## Step 8



Pull on the black end of the rope sticking out below the 'iako wraps until the loop knot is pulled under them.

Make a double knot on top of the 'iako wraps.

If necessary, secure the 'iako wraps area with rubber and duct tape.

**Pau!**